



RELTECH

Where the water flows best...



Fully Variable 3 Speed Pool & Spa Pump

- Available in a 1.25HP and 1.75HP Variable 3 Speed Motor
- Reduce your electricity costs up to 70% per annum
- Suited for high flow filtration, spa jets and most in-floor installations
- Each speed is adjustable to suit individual pools & spas
- Ultra low noise operation with improved filtration
- Up to an 8 star energy rating when adjusted



www.reltech.com.au

TAKE CONTROL OF YOUR POOL AND SPA'S RUNNING COST.

Reltech's **Ecoflo V3 & V5 Pro** pump enables pool and spa owners the choice of how to run their pumps in the most efficient way so as to dramatically decrease electricity costs and carbon emissions.

Unlike conventional single speed pumps that work at maximum capacity, the **Ecoflo V3 & V5 Pro** utilises a permanent magnet brushless fully variable 3 speed DC motor. This revolutionary pump allows the owner to increase and decrease each of the 3 speeds to suit their pool and spa. **The Ecoflo V3 & V5 Pro becomes "tuned" to the pool and spa to save on electricity costs and increase filtration quality.**

Whether you need to backwash, clean/vacuum or filter your pool or spa water, the **Ecoflo V3 Pro** will save you time and money whilst minimising your carbon footprint on the environment. The **Ecoflo V5 Pro** has the same energy efficiency, however, achieves superior levels of performance being a **1.75HP motor**. This suits spa jet action and most in-floor cleaning setups.

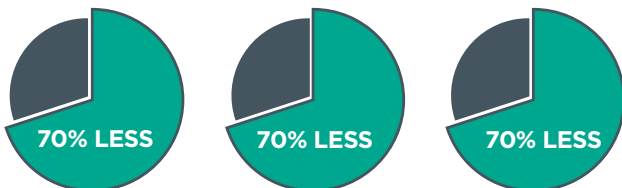
Pool filtration takes up 99% of a pump's usage during the year. However, pool filtration does not require a pump to be running at full capacity. In fact, your pools filtration efficiency improves at lower flow rates. More foreign particles and waste can get trapped in the filter when water flow is slowed and prolonged.

The **Ecoflo V3 & V5 Pro** operates at extremely low noise levels that allow you to run your pump at night to take advantage of off-peak tariffs without disturbing your neighbours.

The **Ecoflo V3 & V5 Pro** uses one of the most reliable and durable housing and internals currently available on the market. It's manufactured and assembled in Australia using glass reinforced engineering grade polymers.

Reltech's **Ecoflo V3 & V5 Pro** is covered by a limited 3 year warranty against materials and workmanship. (Please see the **Ecoflo V3 & V5 Pro** operating manual for more details).

ECOFLO V3 & V5 PRO KEY FEATURES



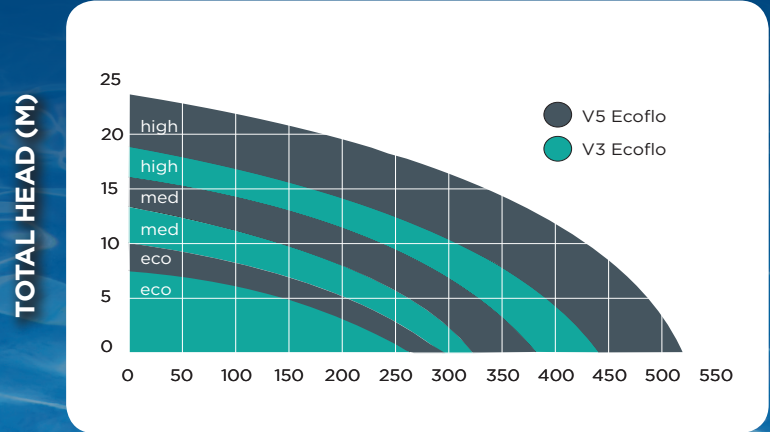
ELECTRICITY USAGE

CARBON EMISSIONS

RUNNING COSTS

AVAILABLE FROM

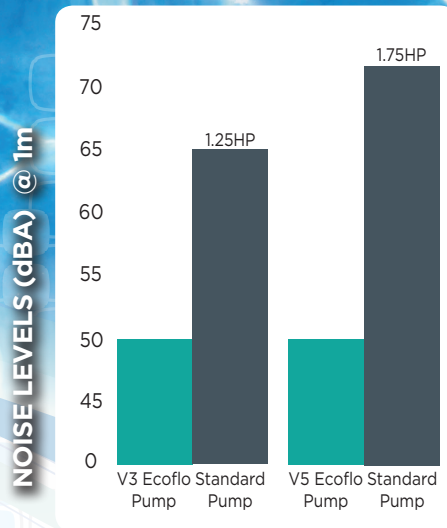
ECOFLO V3 & V5 PRO PERFORMANCE



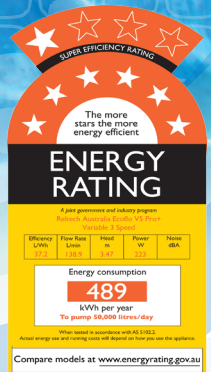
WATER FLOW (LPM)

ECO = 1900RPM MED = 2410RPM HIGH = 2850RPM
Factory Settings

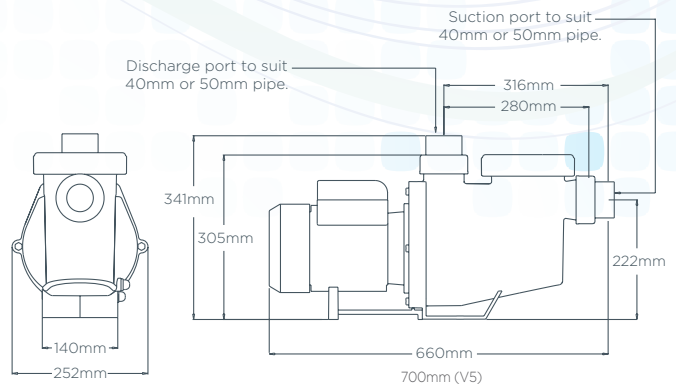
ULTRA QUIET NOISE LEVELS ECOFLO PUMPS vs STANDARD PUMPS



(Based on Eco mode filtration cycles)



Factory Settings



RELTECH
Where the water flows best...

43-45 Kylta Road West Heidelberg Victoria 3081 Australia

P: + 613 9459 3838 F: + 613 9459 4038

E: office@reltech.com.au W: www.reltech.com.au